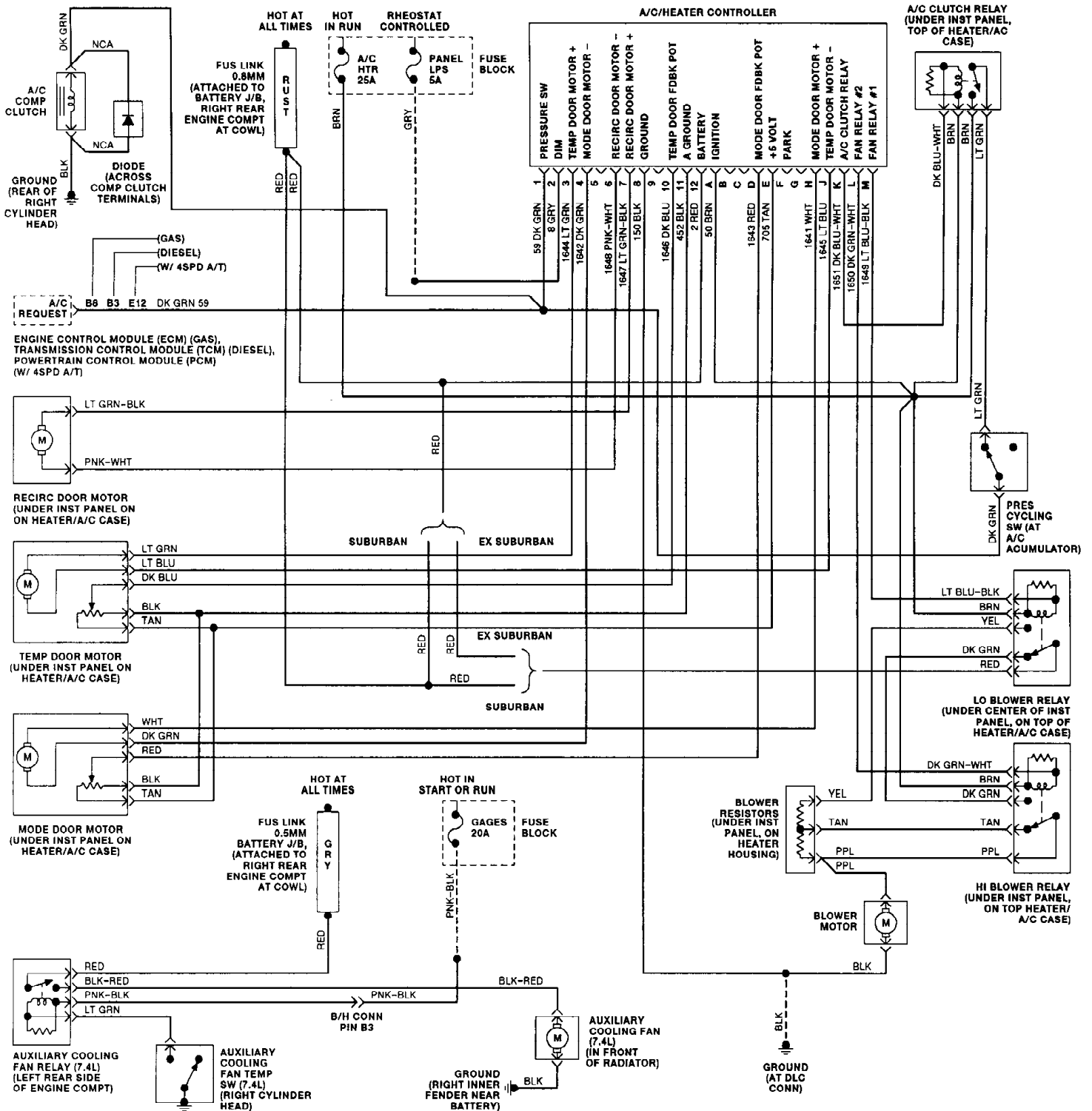


Fig. 6: Manual A/C-Heater System Wiring Diagram ("C" & "K" Series)

1993 Chevrolet Pickup K1500



93D28970